



US00D407762S

United States Patent [19]

[11] Patent Number: Des. 407,762

Ota et al.

[45] Date of Patent: **Apr. 6, 1999

[54] CARTRIDGE WITH CAMERA FOR A GAME MACHINE

Primary Examiner—Prabhakar G. Deshmukh
Attorney, Agent, or Firm—Nixon & Vanderhye P.C.

[75] Inventors: Masahiko Ota; Takashi Ono, both of
Kyoto, Japan

[57] CLAIM

The ornamental design for a “cartridge with camera for a game machine”, as shown and described.

[73] Assignee: Nintendo Co., Ltd., Japan

[**] Term: 14 Years

DESCRIPTION

[21] Appl. No.: 84,557

FIG. 1 is a top plan view of a cartridge with camera for a game machine in accordance with a first embodiment of my new design;

[22] Filed: Mar. 5, 1998

FIG. 2 is a left side elevation thereof;

[51] LOC (6) Cl. 21-01

FIG. 3 is a right side elevation thereof;

[52] U.S. Cl. D21/332

[58] Field of Search D21/324, 332,
D21/329, 333; D14/124, 125, 100; D16/202,
208; 273/148 B; 463/43-47, 29, 30, 1

FIG. 4 is a bottom plan view thereof;

FIG. 5 is a front elevation thereof;

FIG. 6 is a rear elevation thereof;

[56] References Cited

FIG. 7 is a front right perspective view thereof;

U.S. PATENT DOCUMENTS

FIG. 8 is a top plan view of a cartridge with camera for a game machine in accordance with a second embodiment of my new design;

D. 280,322	8/1985	Velinsky	D21/333 X
D. 318,884	8/1991	Kojo .		
D. 347,450	5/1994	Nagata et al. .		
D. 353,409	12/1994	Obata	D21/324
D. 366,261	1/1996	Splane, Jr. et al.	D14/117.1 X
D. 369,352	4/1996	Iwakami	D21/332 X
5,362,068	11/1994	Liu	463/44
5,653,638	8/1997	Nagata	463/44

FIG. 9 is a left side elevation thereof;

FIG. 10 is a right side elevation thereof;

FIG. 11 is a bottom plan view thereof;

FIG. 12 is a front elevation thereof;

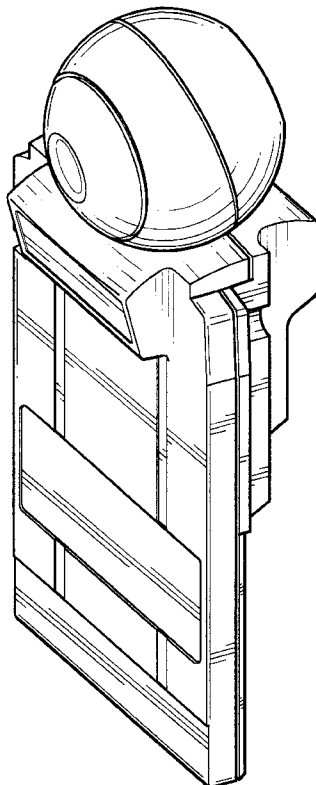
FIG. 13 is a rear elevation thereof; and

FIG. 14 is a front right perspective view thereof.

OTHER PUBLICATIONS

Sears Toys Cat p. 494, 1985.
Namco Catalog, Feb. 1995.

1 Claim, 8 Drawing Sheets



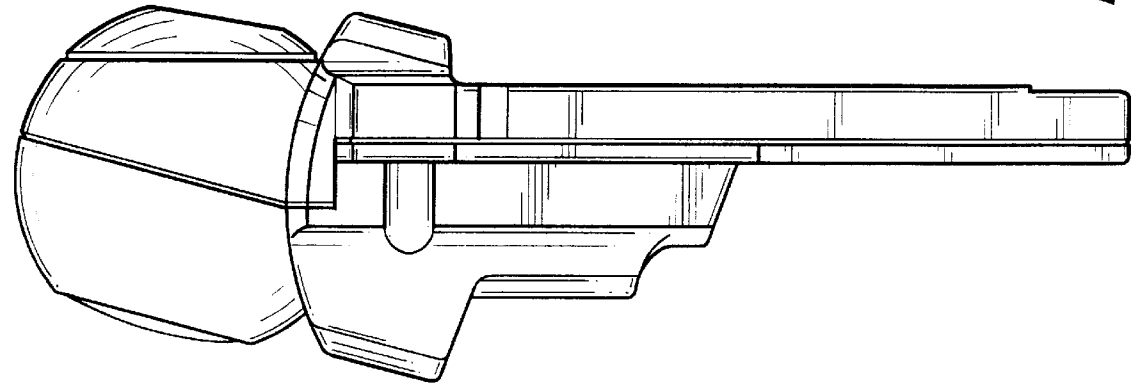


Fig. 2

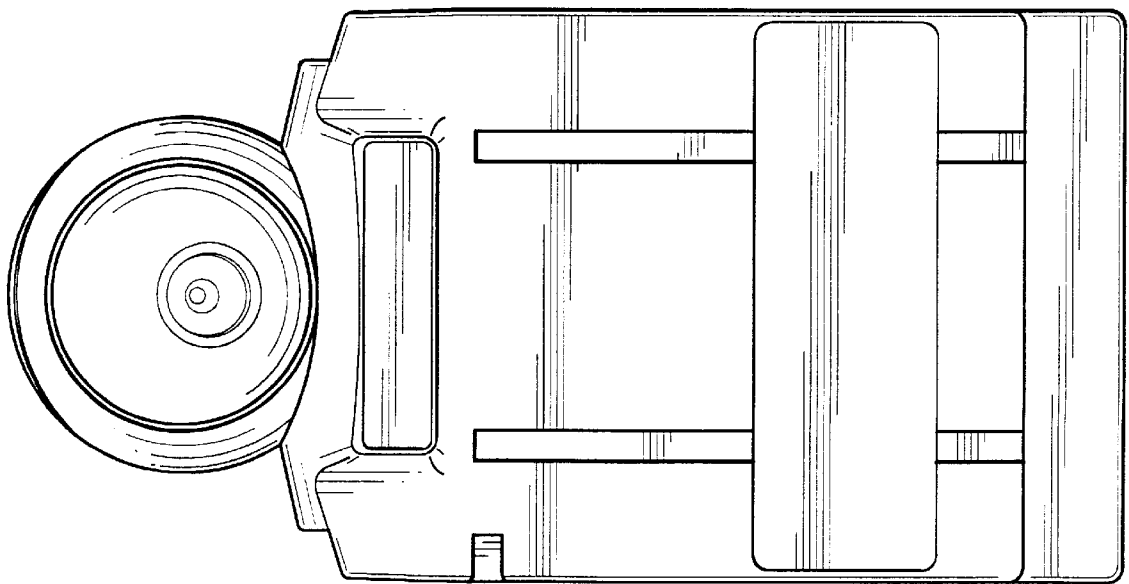


Fig. 1

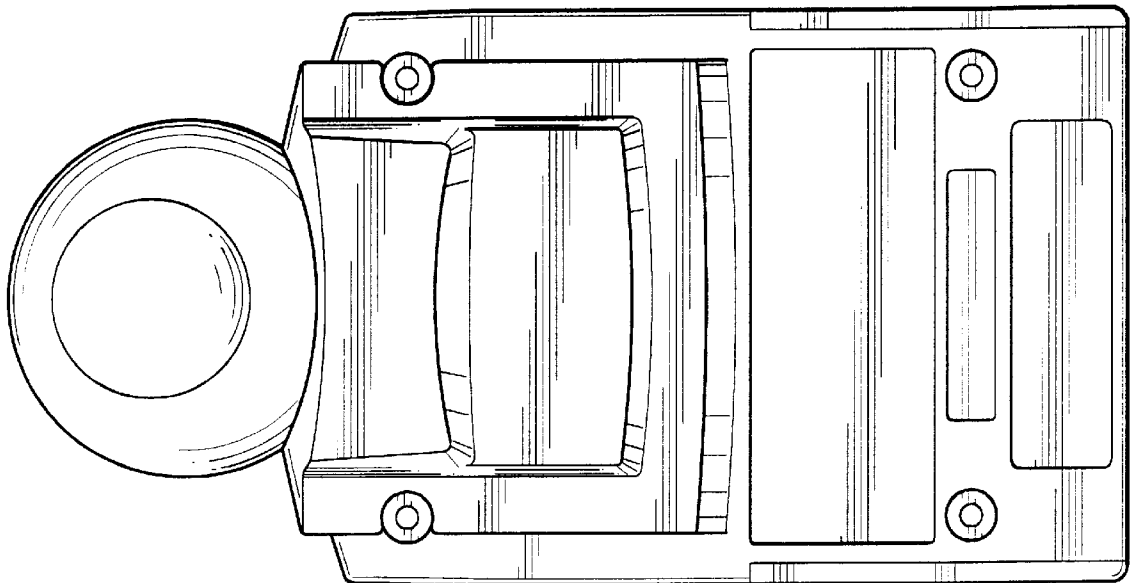


Fig. 4

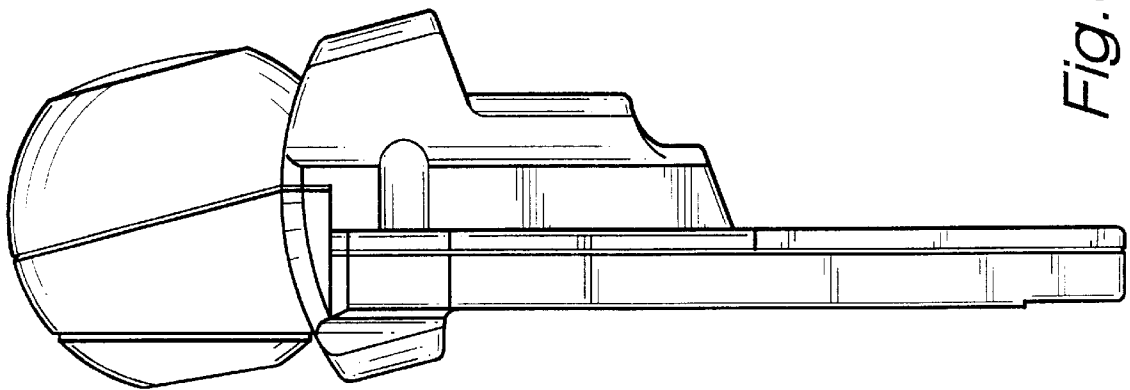


Fig. 3

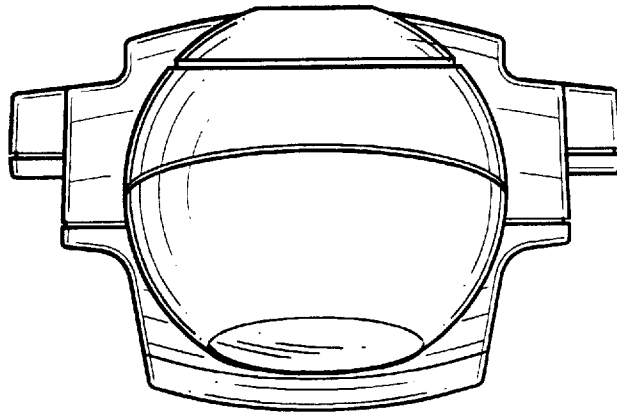


Fig. 5

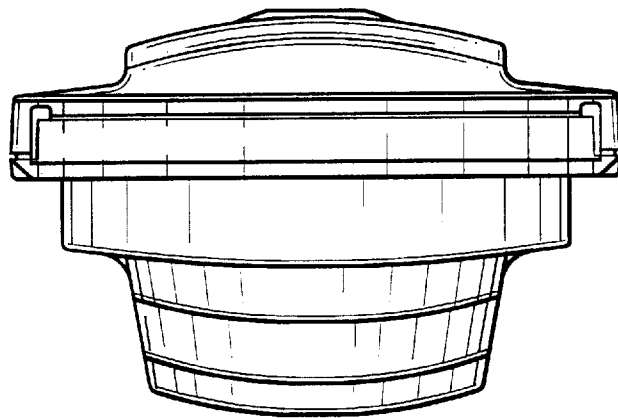


Fig. 6

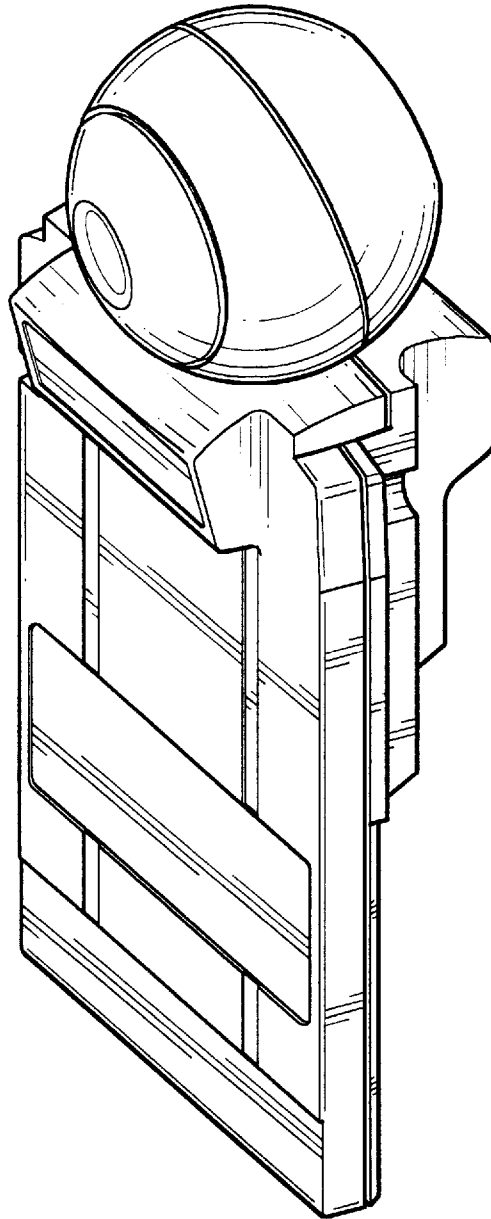


Fig. 7

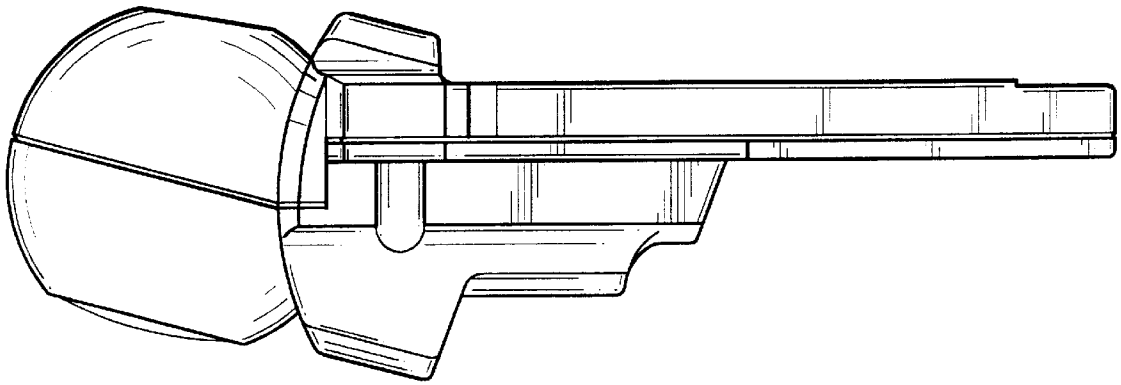


Fig. 9

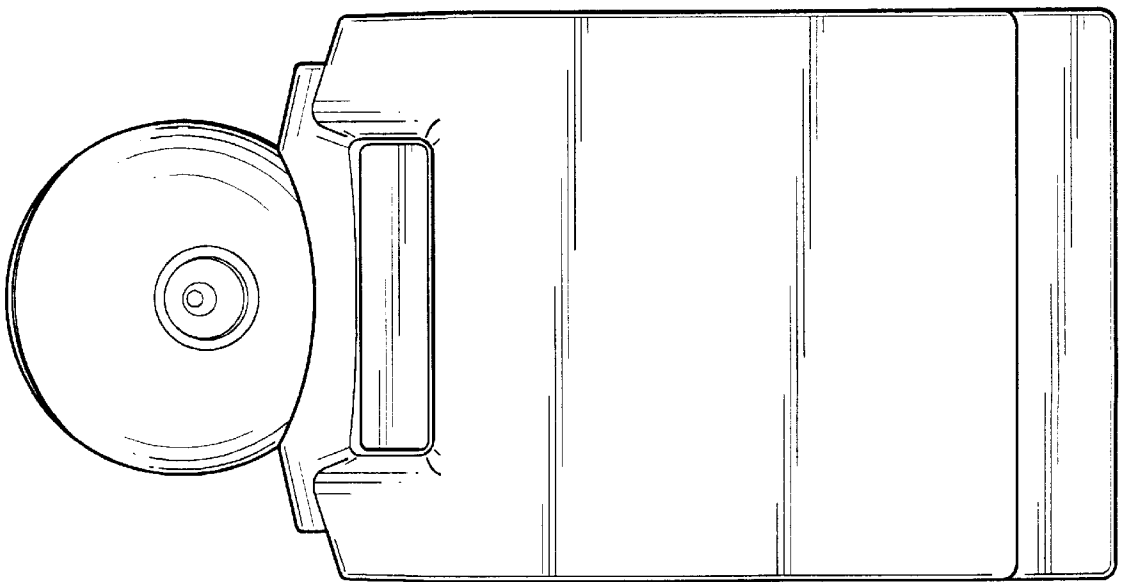


Fig. 8

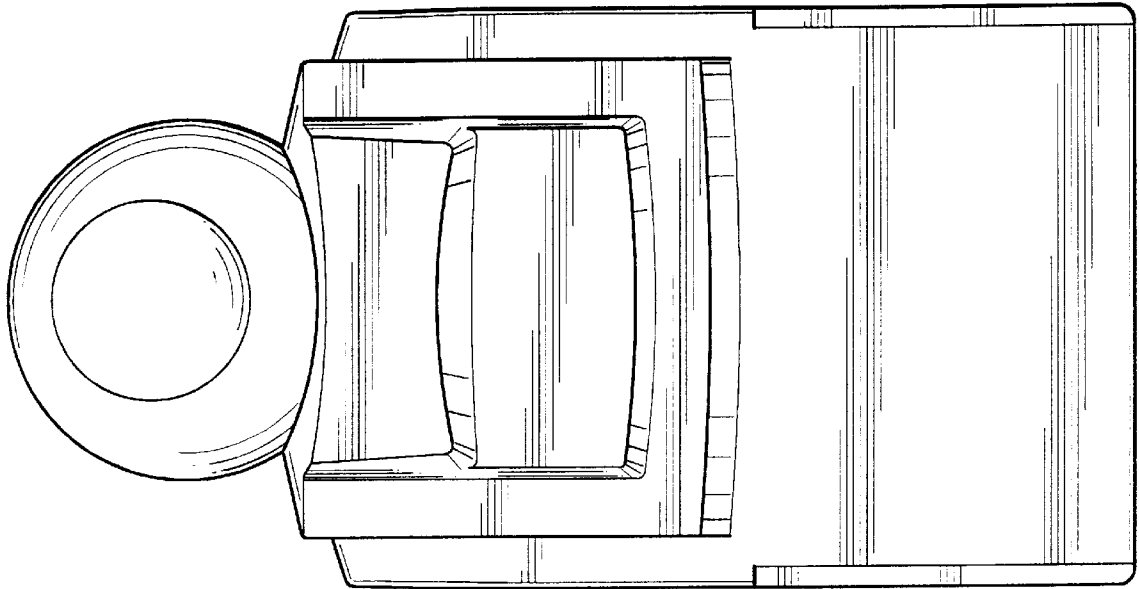


Fig. 11

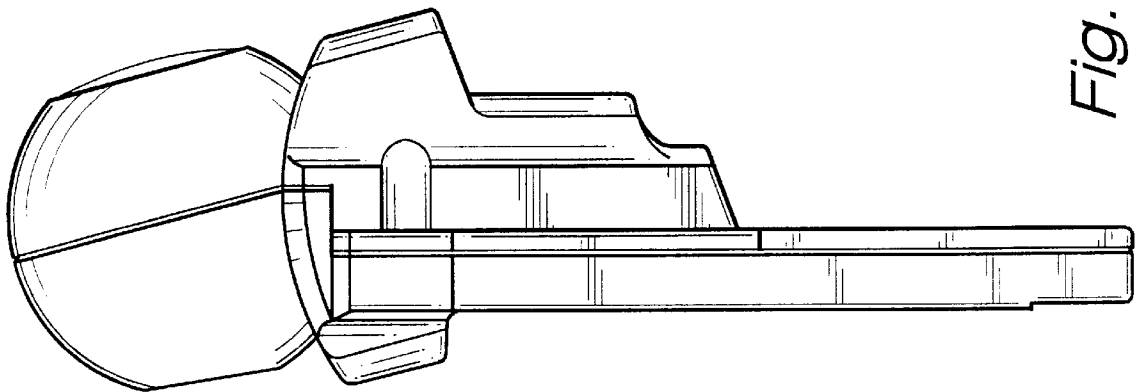


Fig. 10

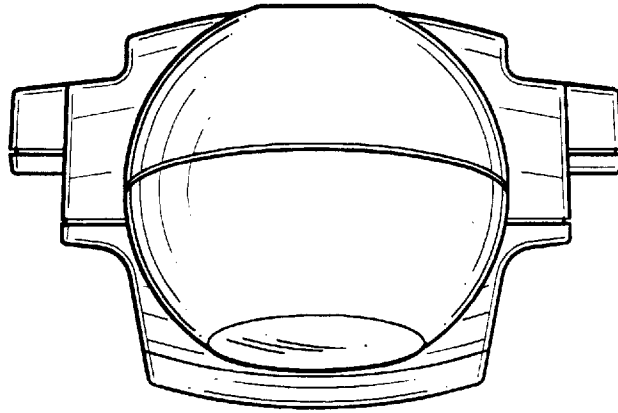


Fig. 12

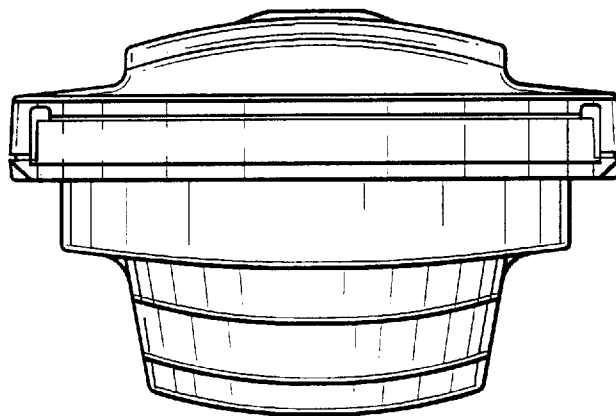


Fig. 13

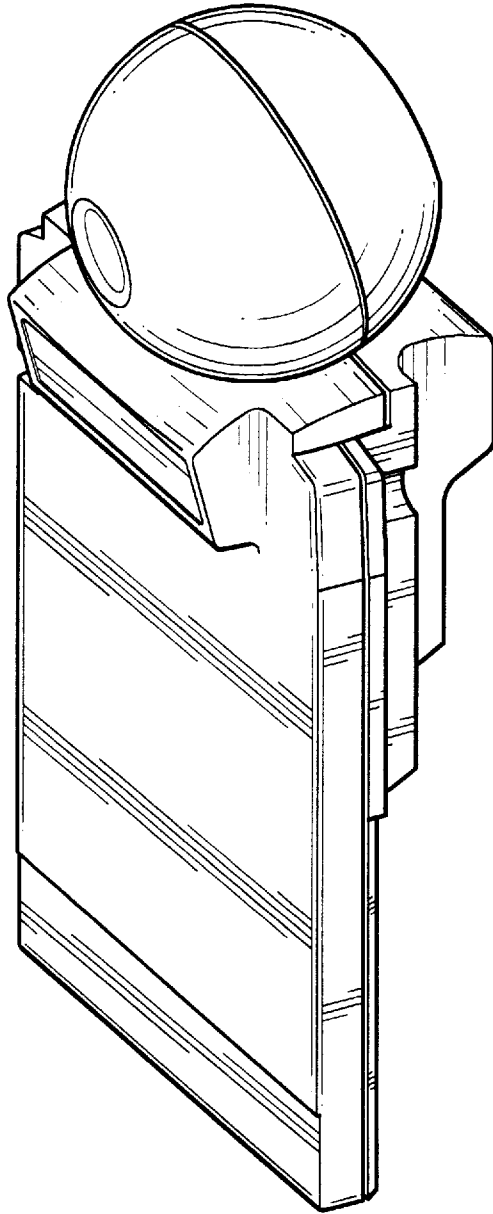


Fig. 14